

SCP

SYSTEM CONTROL PROCESSOR

The hardware platform for 32-bit systems!

The SCP, with its family of interface panels and a true 32-bit Windows DLL (Dynamic Link Library), provides a complete subsystem to integrators and developers of Security and Access Control Systems. The DLL connects the application program to SCP(s) using any of the following communication media: serial point-to-point, serial multi-drop, modem (via TAPI - Windows dial-up services), and ethernet (via Winsock -TCP/IP).

The DLL supports all popular 32-bit Windows development environments, such as Visual C++, Visual BASIC, and Delphi. Field proven hardware and software components, clear Application Program Interface (API), and powerful debugging tools assure rapid system development.

The API puts the integrator in total control of resource configuration and SCP memory allocation. Once loaded, the SCP performs all interface and management functions without dependence on the host computer.

Based on a 32-bit microcontroller, the SCP is packed with power, performance, and flexibility. Yet, scalable memory options make the SCP very cost effective from small to very large system applications.

- **Serial/Dial-up/Ethernet-TCP/IP to host**
- **1MByte to 4MByte RAM options**
- **32 I/O panels, 4 RS-485 channels, any mix**
- **Multiple reader and card formats**
- **"If.../Then..." type macro capability**
- **On-line firmware update using FLASH**

Simply Advanced!

Ease of integration, combined with unmatched power and versatility make the SCP product family the clear choice for integrators and developers of Access and Security Systems, regardless of system size.



MERCURY SECURITY
C O R P O R A T I O N

More SCP Features

I/O Panel Options

- Any combination of 32 I/O panels may be attached to the SCP's four RS-485 communications channels. (4,000 feet / 1250m per channel. Standard speed is 38,400 baud.)
- I/O panels currently supported are:
 - MR-50 Single Reader Door Interface;
 - MR-52 Dual Reader Door Interface with I/O;
 - MR-16IN 16 Zone Input Monitor with 2 Relays;
 - MR-16OUT 16 Relay Output Controller

Card Database Record properties

- Include/exclude fields to optimize memory usage
- 19-digit (32-bit) user ID standard
- Activation/Deactivation dates
- Up to 32 access levels per cardholder, 32K per SCP
- Individually defined timezone per reader
- Up to 15-digit personal identification numbers (PIN)
- Temporary deactivate by date & duration (vacation)
- Temporary upgrade by date & duration
- Anti-passback support: free pass/exempt flags, last area accessed, last reader accessed, time and date of last access

Timezone and Holiday properties

- Up to 12 intervals per timezone
- Each interval consists of a start and stop time and a map of days on which it is active, up to 8 'holiday types'
- Holidays have a starting date, a duration, and a map specifying a 'holiday type'
- Timezone override via direct commands for testing, emergency override, or event-based control

Access Control Reader (ACR) properties

- Configuration: standard; paired - main; paired - reader only
- Anti-passback: using from/to areas, timed forgive
- Card formats: any mix of up to 8 card formats and facility codes may be active on each ACR
- Card formats: entire card number reported on invalid facility code or invalid card format
- Request to exit: standard door cycle; or only door alarm bypass without strike activation
- Strike mode: fail safe, fail secure relay drive
- Operating modes: locked; unlocked; facility code; card only; card and PIN; card or PIN; PIN only

Alarm Monitor Point (MP) properties

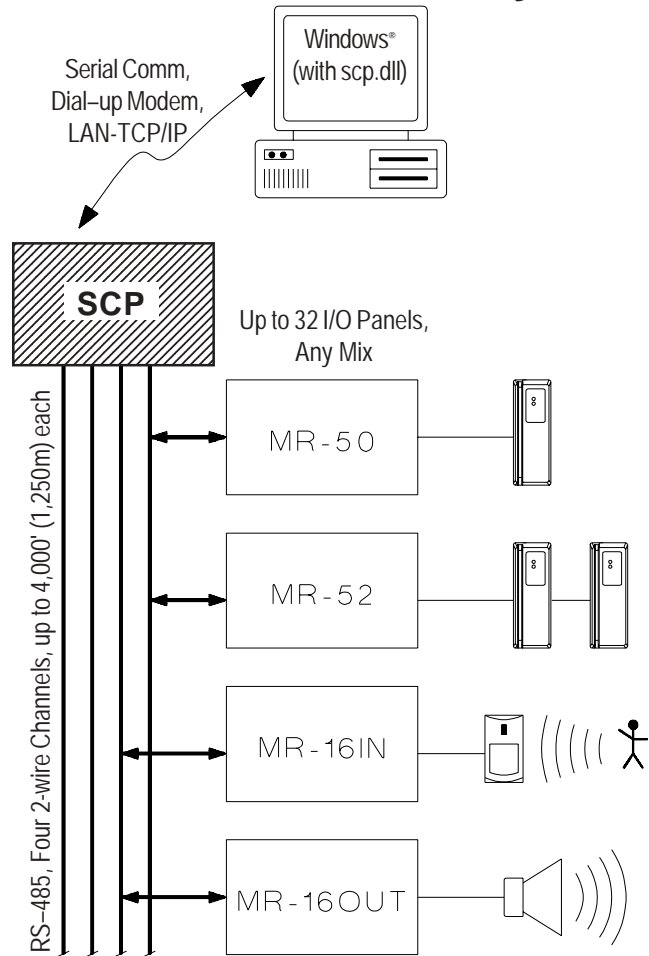
- Configuration: standard; entry delay, latching; entry delay, non-latching; exit delay
- Circuit type: normally open; normally closed; non-supervised; supervised - standard/custom end-of-line
- Line conditioning: programmable sensitivity and hold time

Output Control Point (CP) properties

- Configuration: standard (energize to activate); fail safe (de-energize to activate)
- Pulse control: single pulse (up to 24 hours); repeating pulses (on/off in .1 sec increments, up to 255 times)

and more...

The SCP Product Family



Technical Specifications

ELECTRICAL

| | |
|---------------|--|
| Primary Power | 12 VDC +/- 15%, 350 mA 12 VAC +/- 15%, 600 mA RMS |
| Serial Ports | Port 1: RS-232/RS-485 Port 2: four 2-wire RS-485 channels |
| Inputs | 2 Dedicated: Tamper and Power Monitor |

MECHANICAL

| | |
|------------|---|
| Dimensions | 6.0' W x 8.0' L x 1.0' H, (152mm W x 203mm L x 25mm H) |
|------------|---|

ENVIRONMENTAL

| | |
|-------------|--|
| Temperature | 0—70 °C operational, -55—85 °C storage |
| Humidity | 0 to 95% RHNC |

The information within this document is subject to change without notice.



2355 Mira Mar Avenue
Long Beach • CA • 90815-1755
Tel: (562) 986-9105 • Fax: (562) 986-9205
www.mercury-security.com